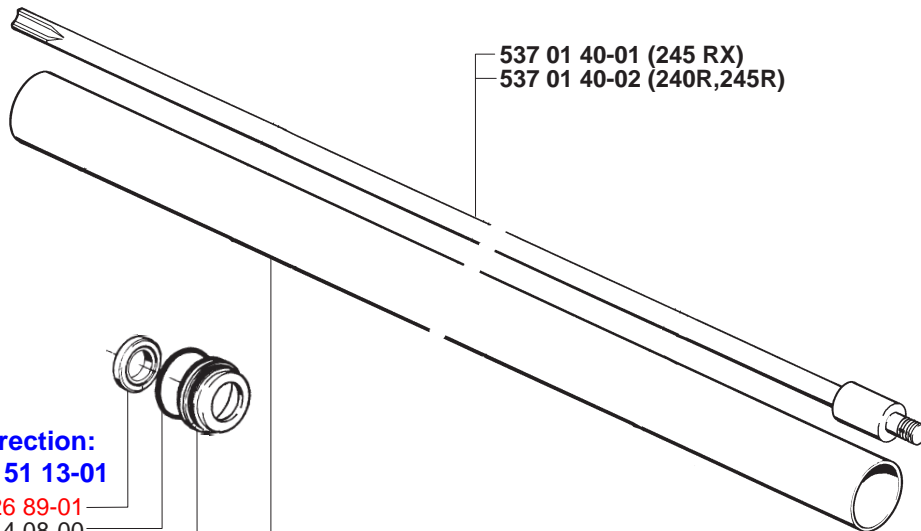
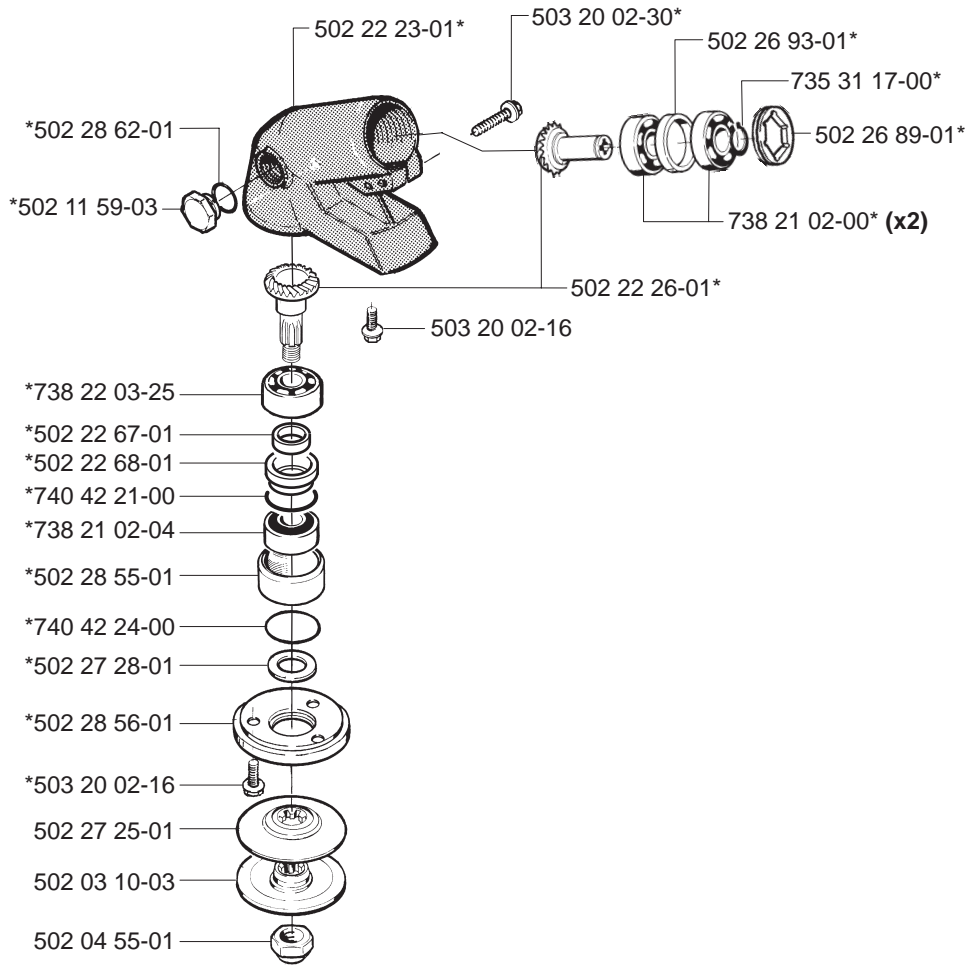


**A**

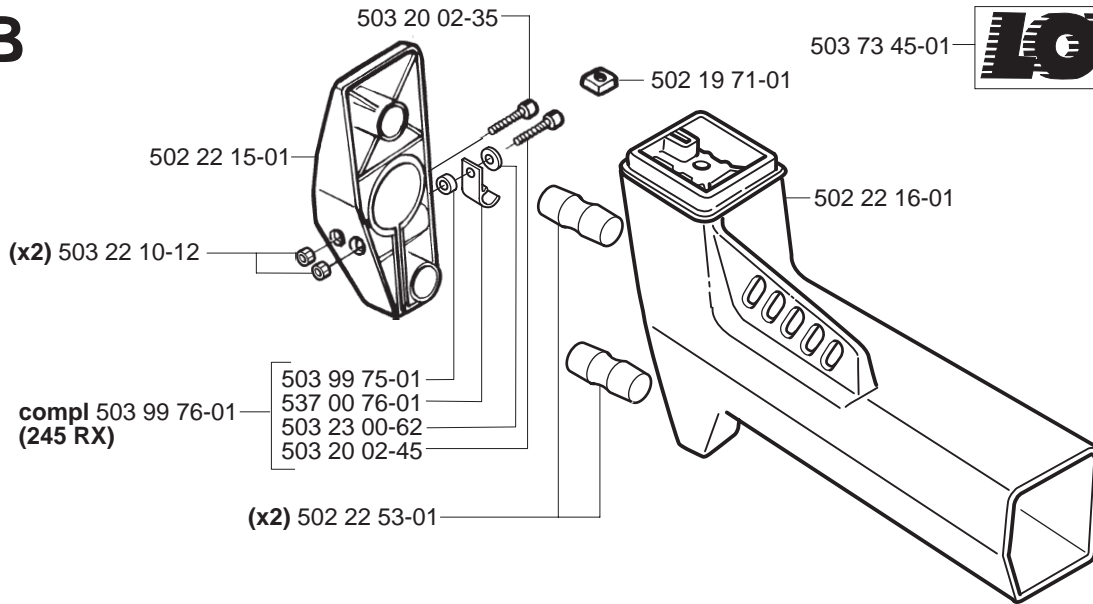
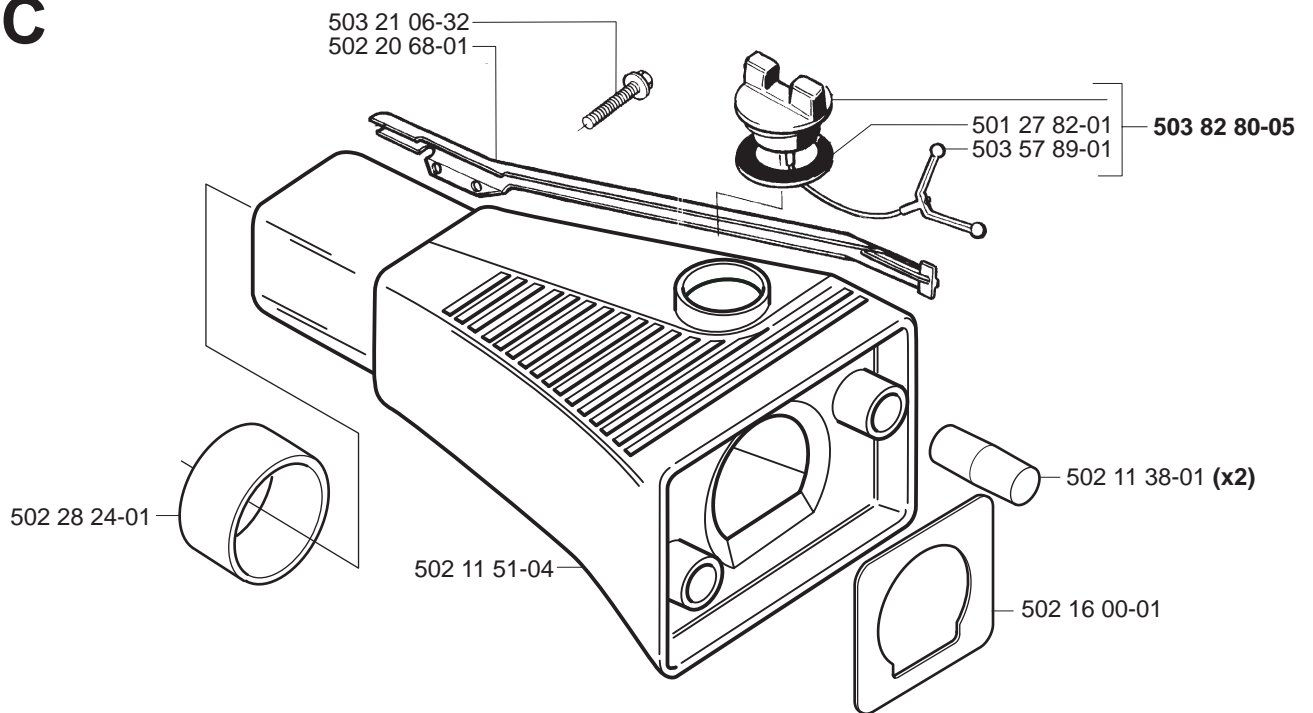
\*compl 502 28 57-02



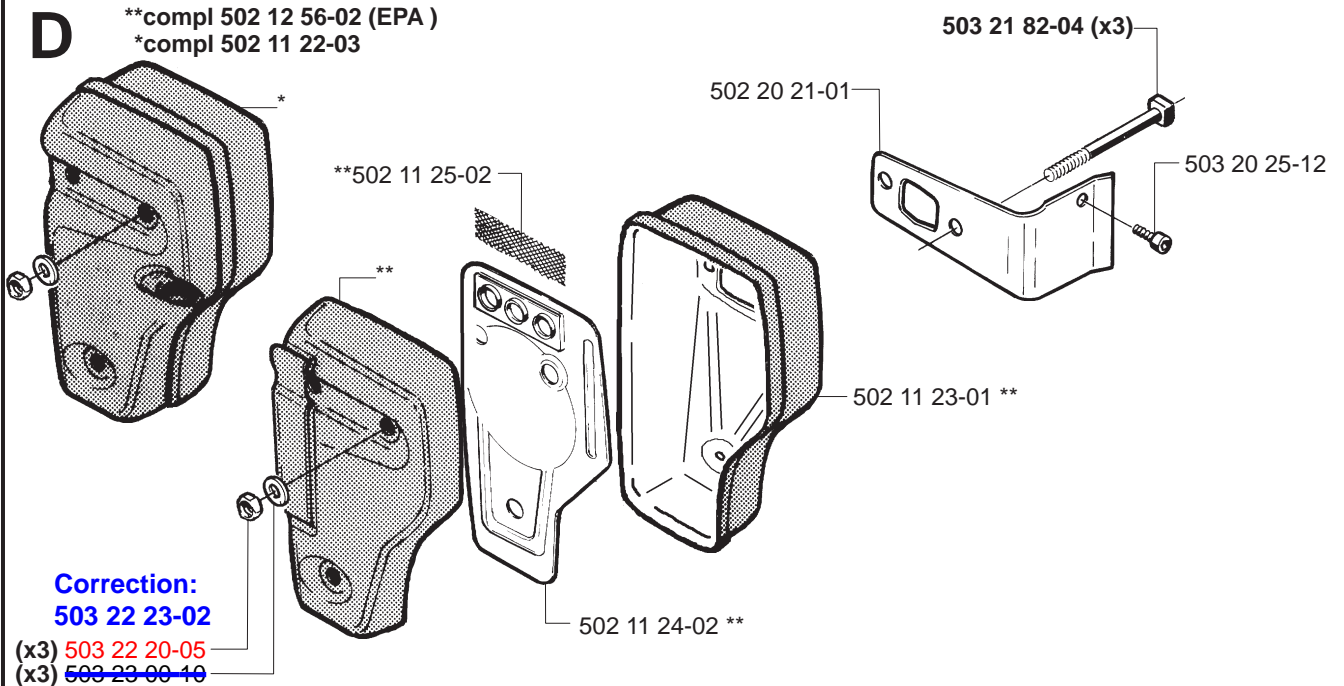
502 12 02-03 (245 RX)  
502 12 02-05 (240R,245R)

537 02 76-02



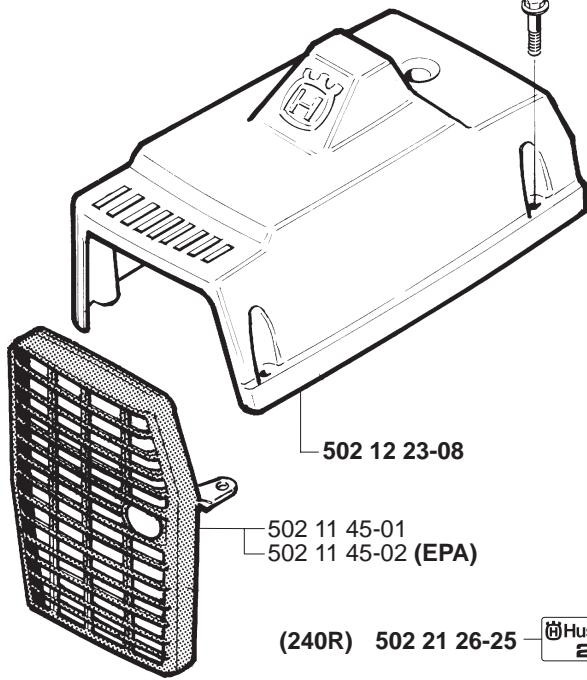
**B****C****D**

\*\*compl 502 12 56-02 (EPA)  
\*compl 502 11 22-03



**E**

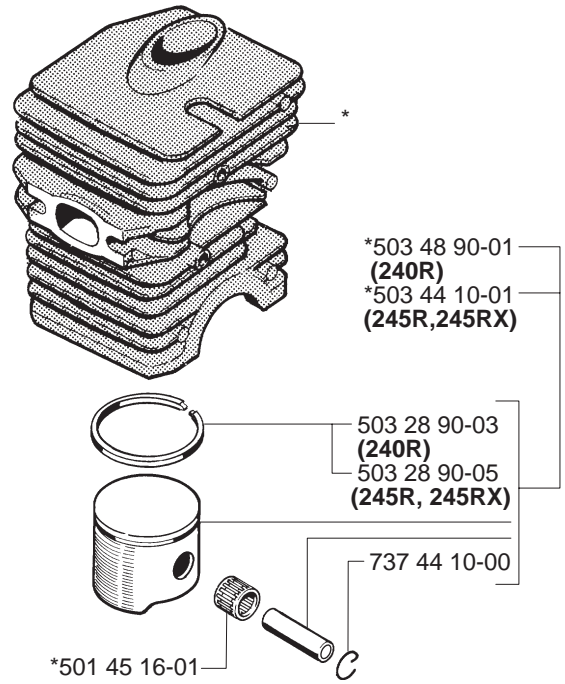
503 20 09-20 (x4)



(240R) 502 21 26-25

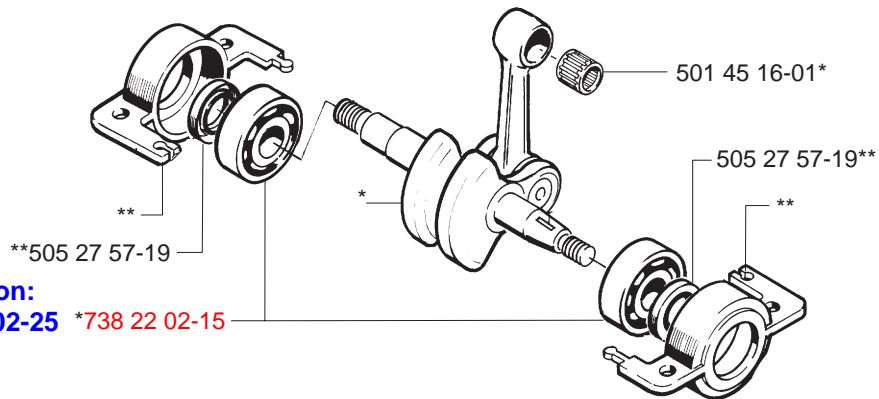
(245R) 502 21 26-26

(245RX) 502 21 26-27

**F**\*compl 506 01 06-07 (240R)  
\*compl 503 44 08-02 (245R, 245RX)\*503 48 90-01  
(240R)  
\*503 44 10-01  
(245R, 245RX)503 28 90-03  
(240R)  
503 28 90-05  
(245R, 245RX)

737 44 10-00

\*501 45 16-01

**G**\*compl 503 57 38-06  
\*\*compl 502 23 02-01

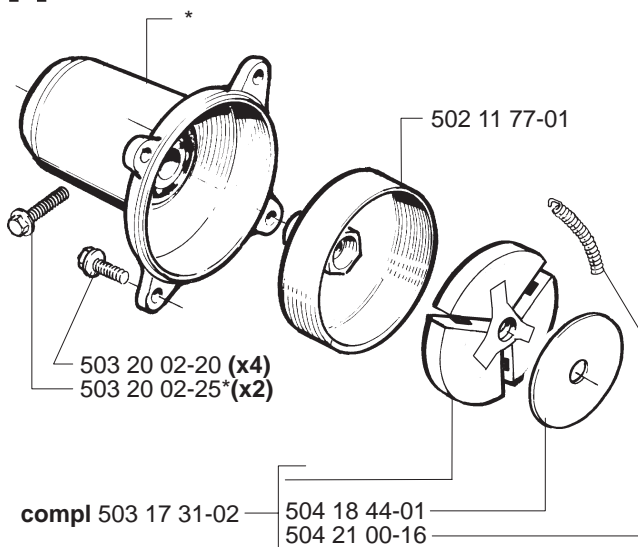
\*\*505 27 57-19

**Correction:**

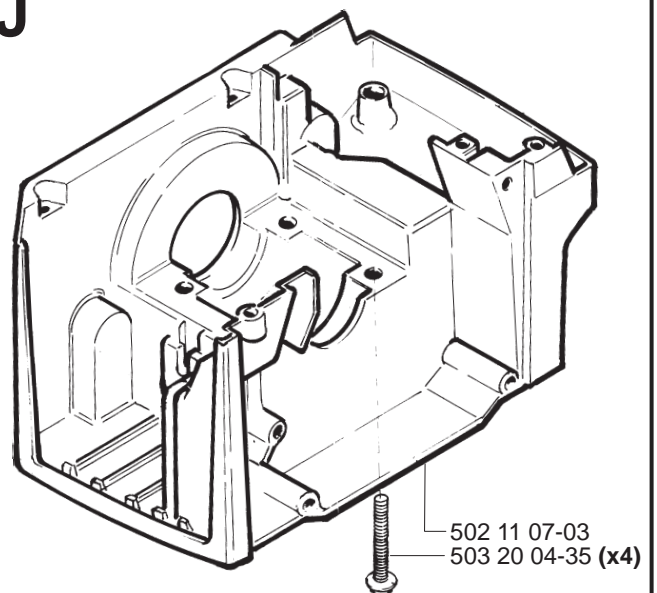
\*738 22 02-25 \*738 22 02-15

**H**

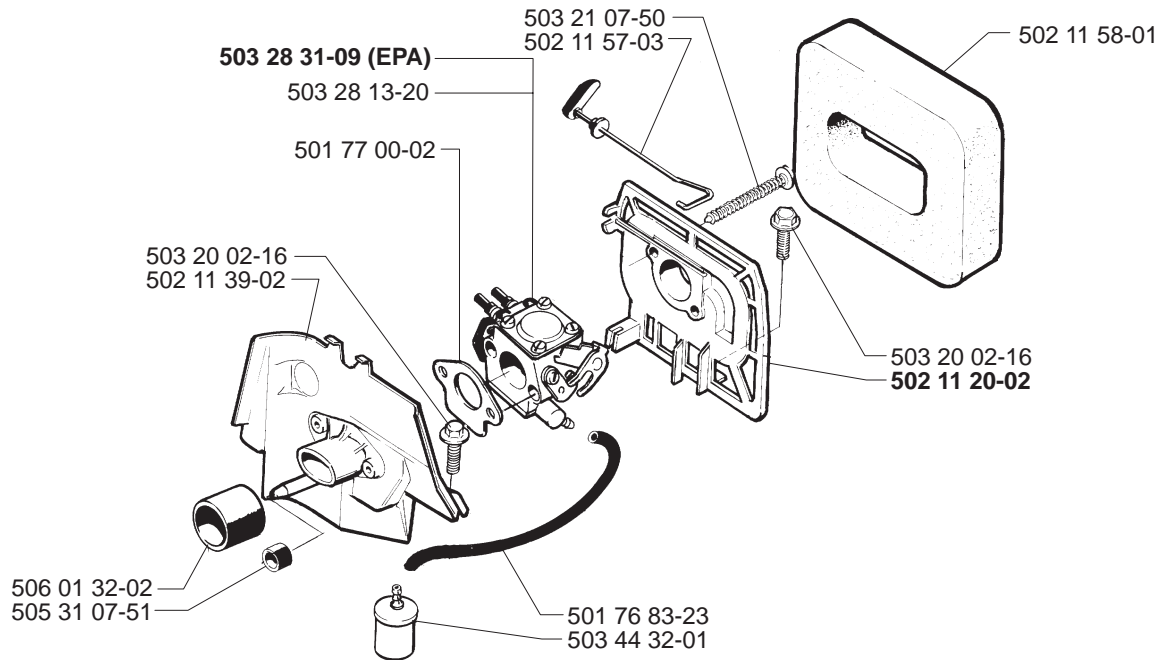
\*compl 502 11 52-01

503 20 02-20 (x4)  
503 20 02-25\* (x2)

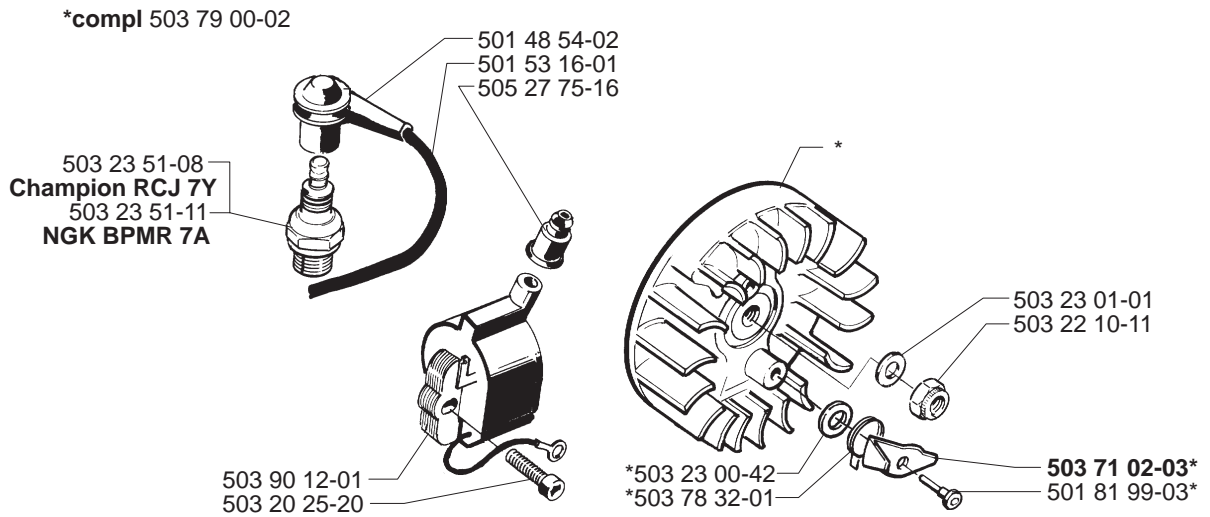
compl 503 17 31-02

504 18 44-01  
504 21 00-16**J**502 11 07-03  
503 20 04-35 (x4)

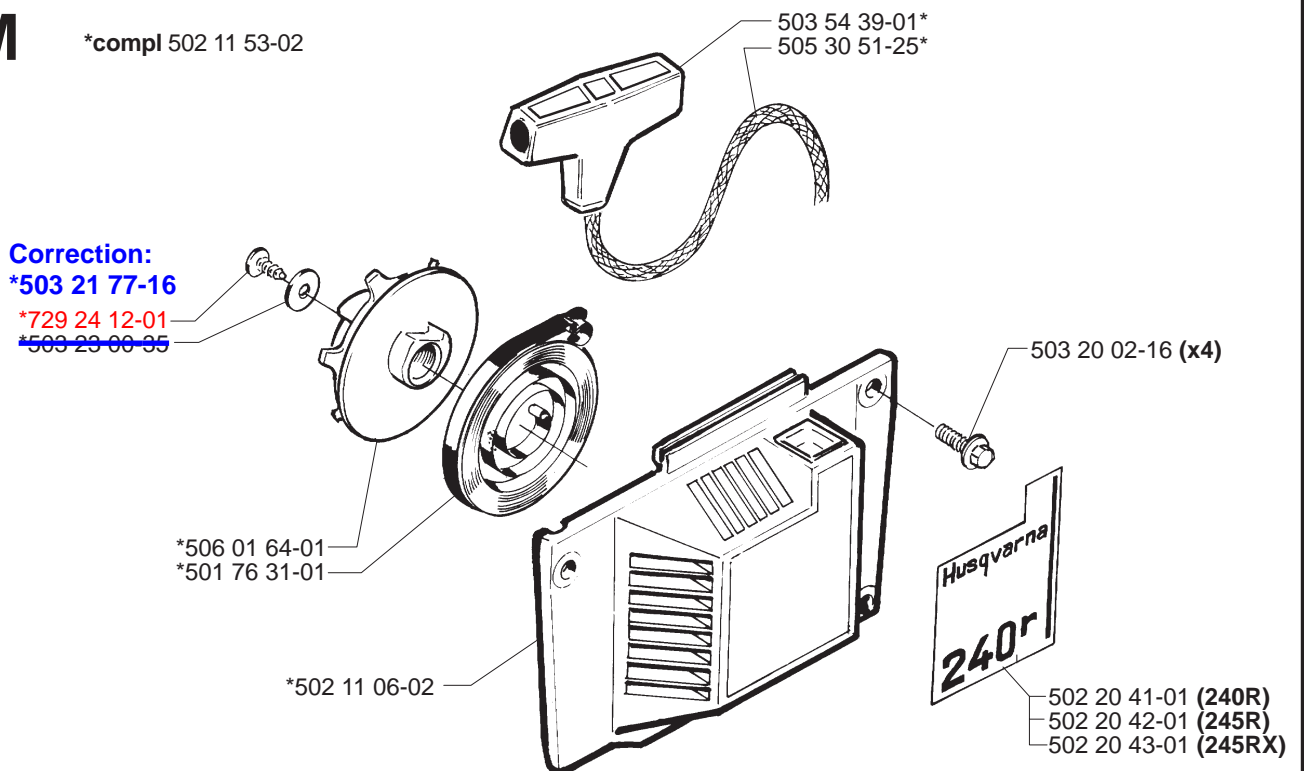
# K



# L

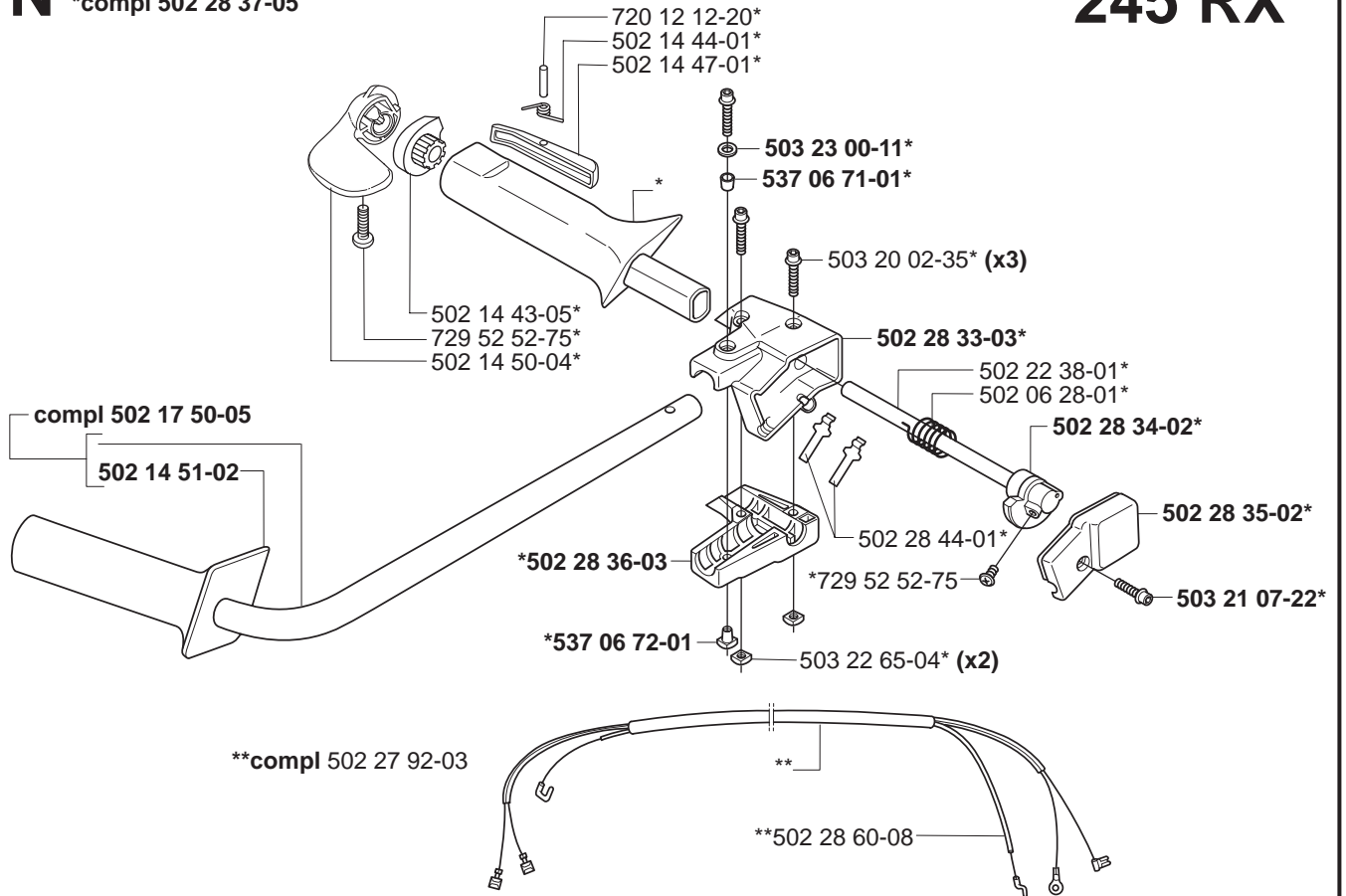


# M



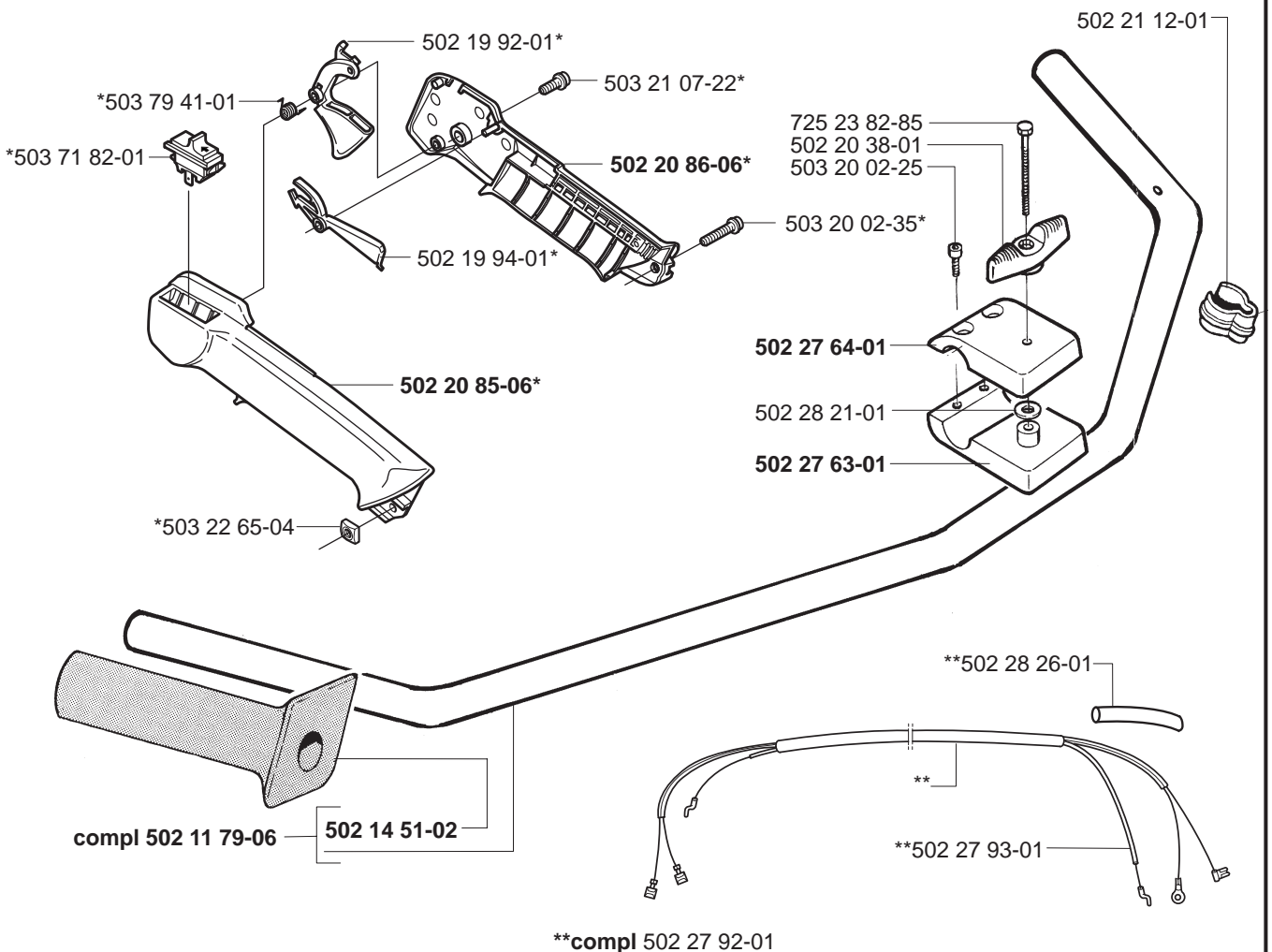
**N** \*compl 502 28 37-05

# 245 RX

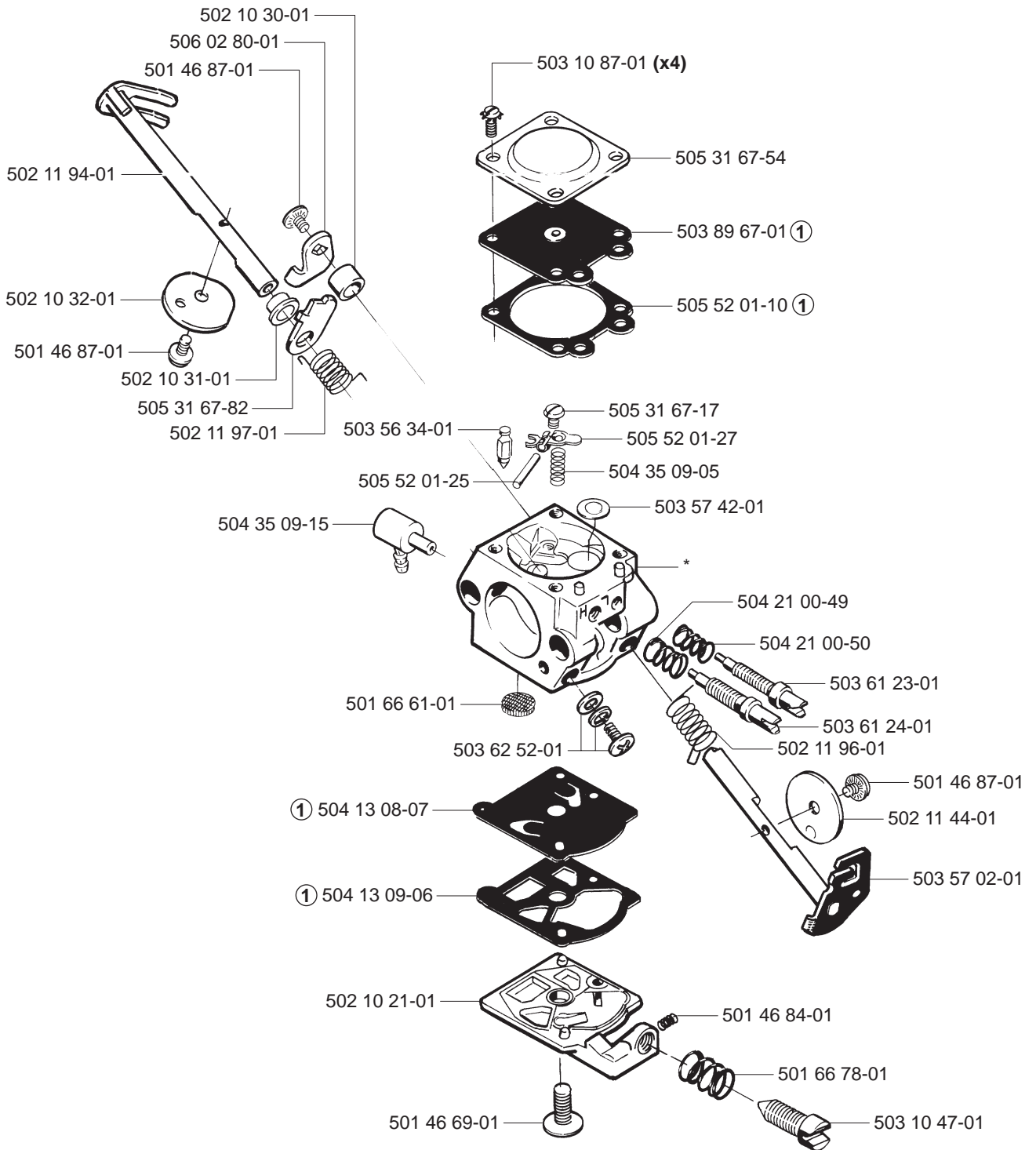


**P** \*compl 502 28 06-11

# 240R, 245R



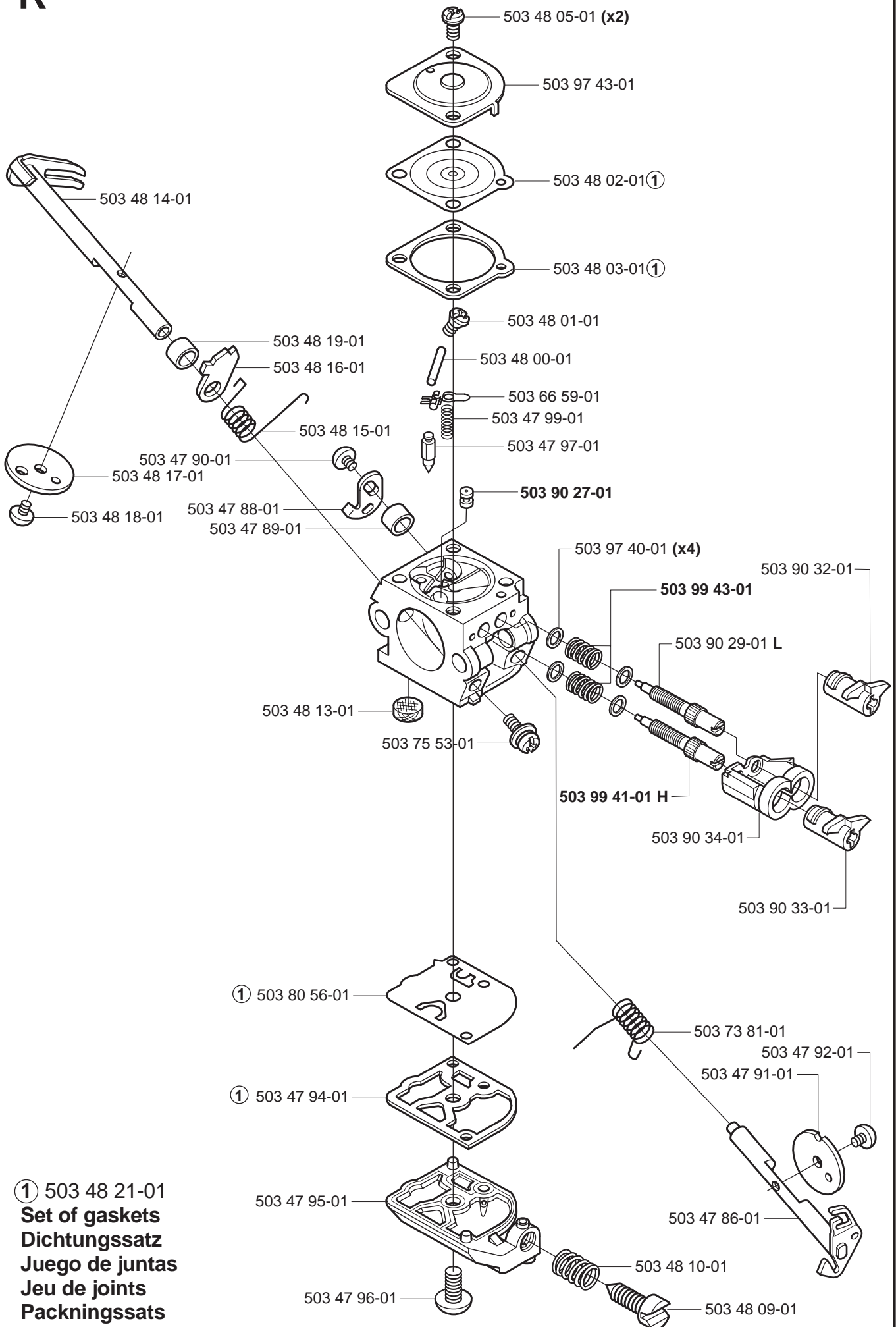




① 502 10 35-01  
**Set of gaskets**  
**Dichtungssatz**  
**Juego de juntas**  
**Jeu de joints**  
**Packningssats**

**R**

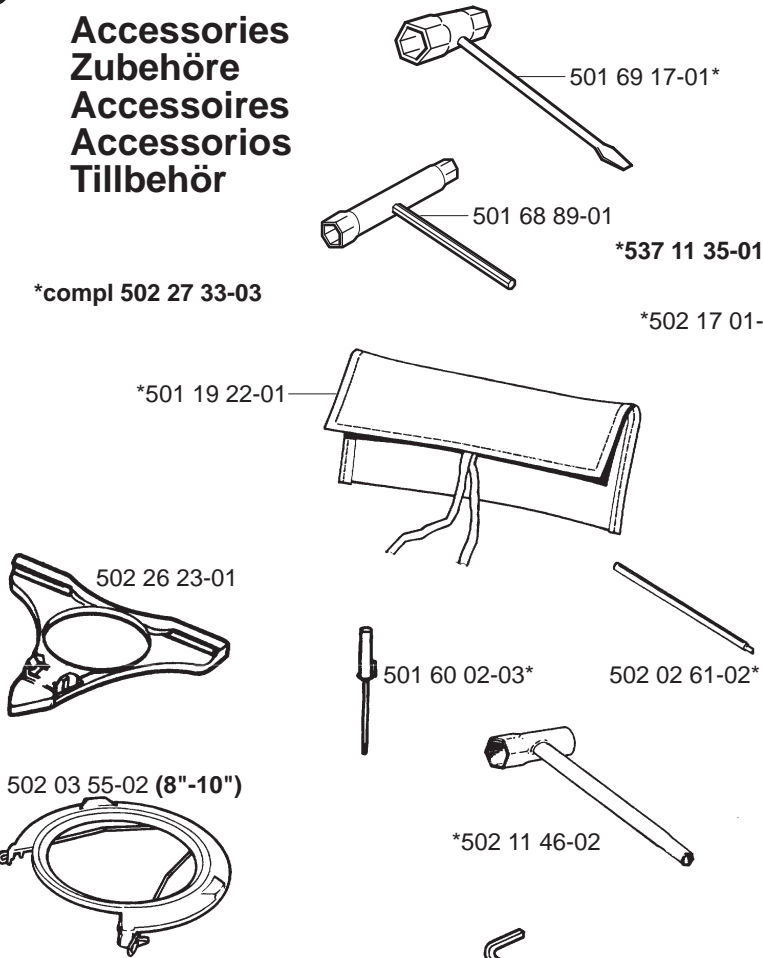
compl 503 28 31-09

**ZAMA C1Q - EL 10 (EPA)**

# S

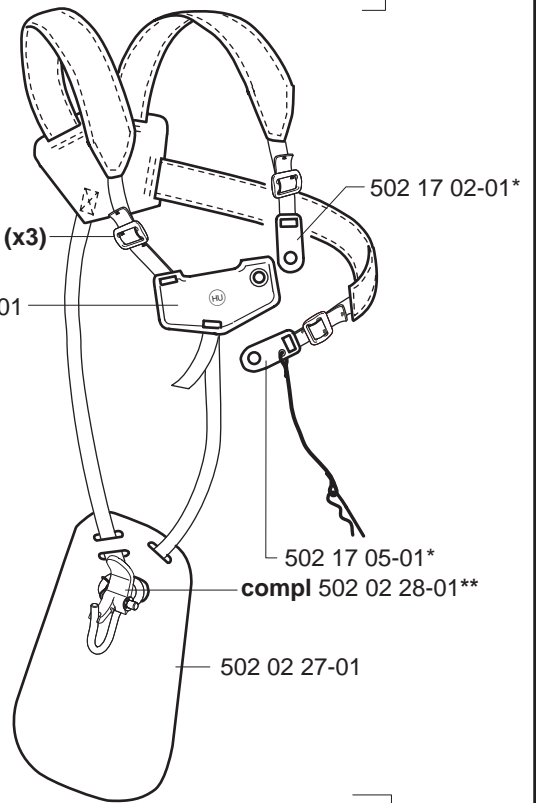
## Accessories Zubehöre Accessoires Accesorios Tillbehör

\*compl 502 27 33-03



\*compl 502 17 00-01  
\*compl 502 17 00-02 US

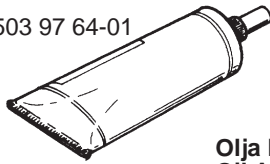
240R



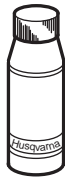
\*compl 502 02 00-02  
\*compl 502 02 00-03 US

245R  
245RX

503 97 64-01



1,0 lit.



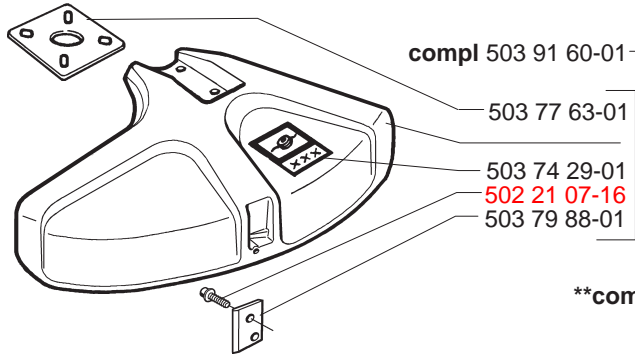
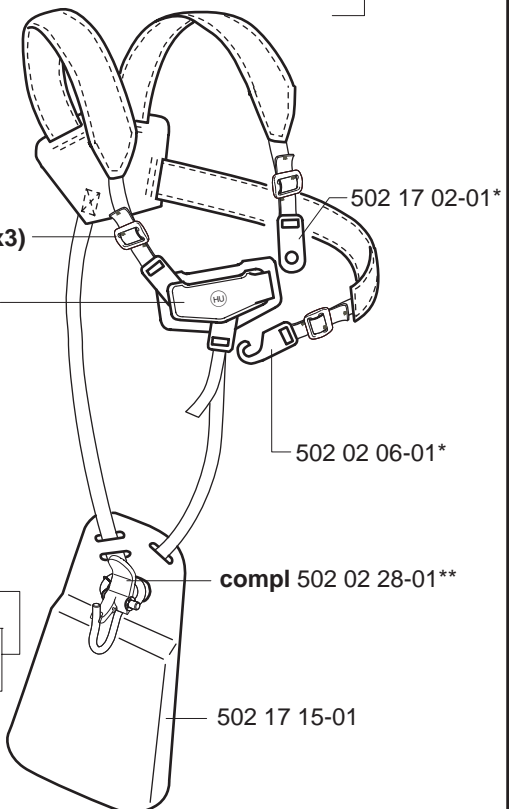
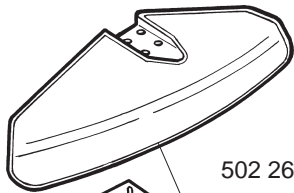
Olja Luftfilter  
Oil Airfilter  
Öl Luftfilter  
Aceite Filtro Air  
Huile Filtera aire



\*537 11 35-01 (x3)

\*502 02 01-01

531 00 60-76



Correction:  
503 21 07-16

\*\*compl 502 02 28-01

